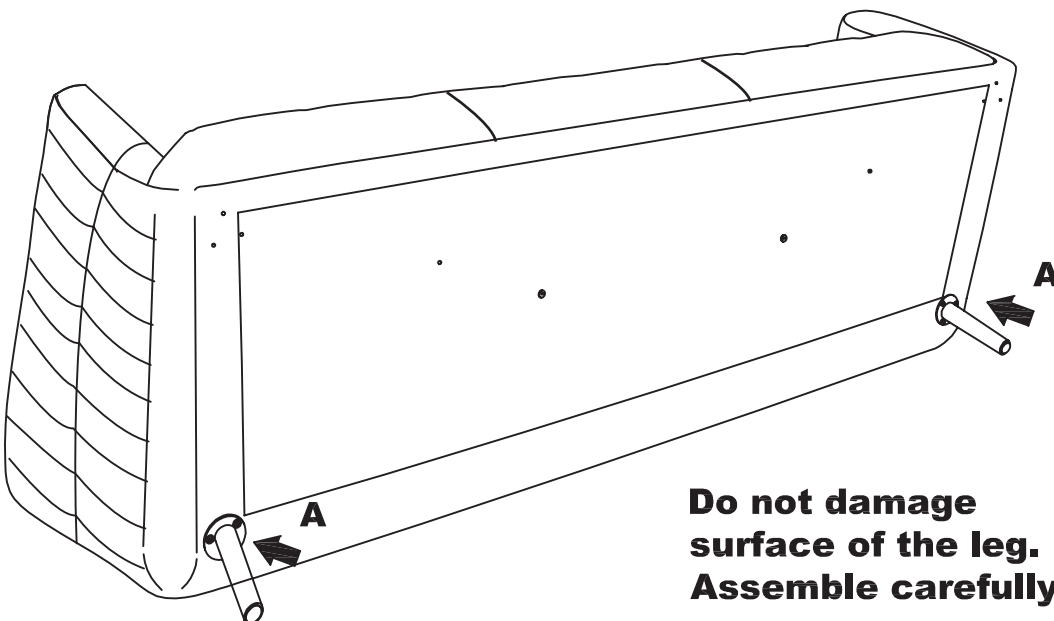
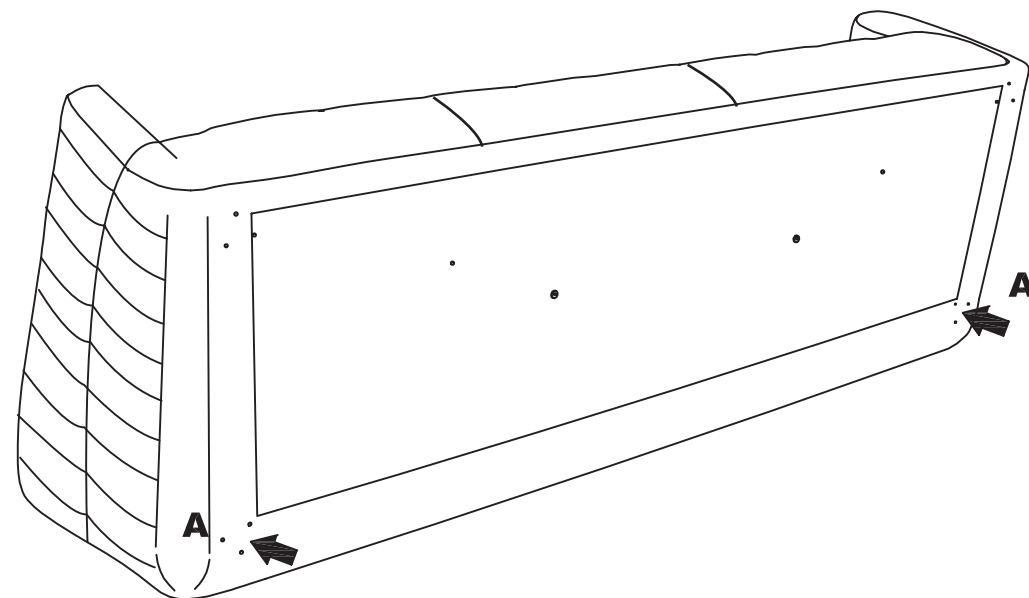


ELYSEE

3 seaters sofa

Insert the screw into the metal bracket (in accordance with the sequence 1;2;3). Then tighten the screw to a depth of approx. 15 mm. Then screw the bolts (screw gradually), keeping attention not to damage the surface of leg.



"Step 1"

x2

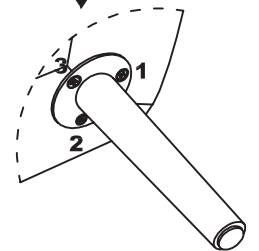
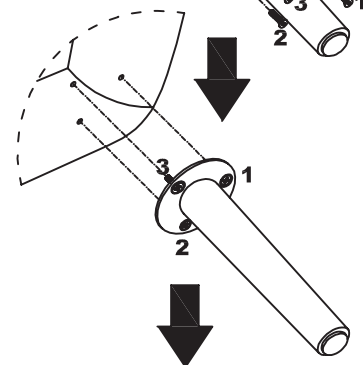
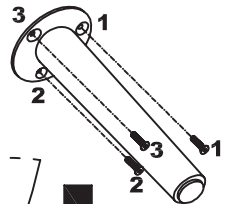
Hex key "4"



x6



A

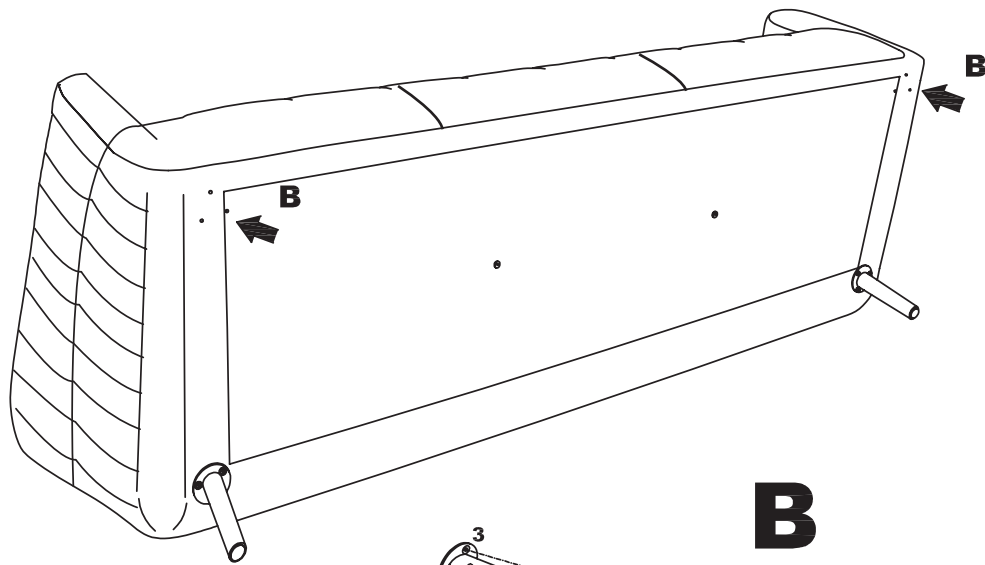


Do not damage surface of the leg. Assemble carefully.

Check attachment screws

1

"Step 2 for front wood leg"



"Step 2"
x2

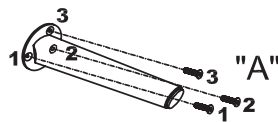


x6
"A"

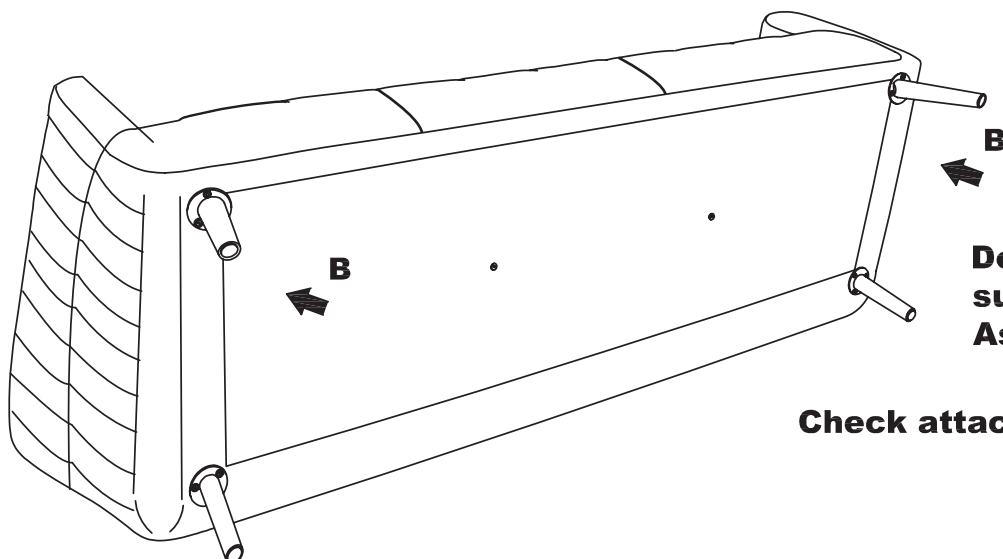
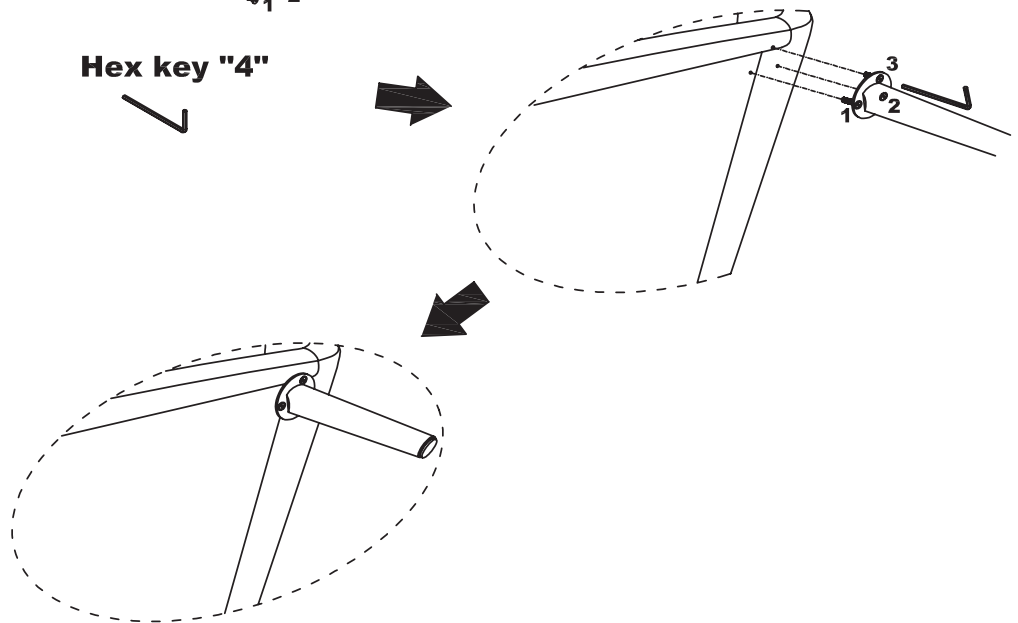
Hex key "4"



B



Hex key "4"



**Do not damage
surface of the leg.
Assemble carefully.**

Check attachment screws